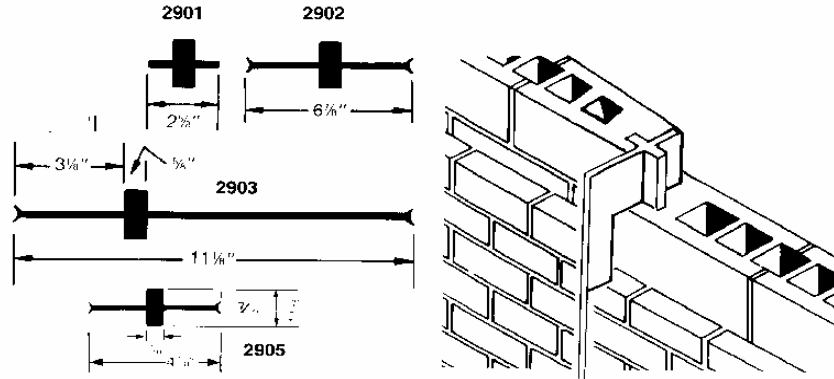


# CONTROL JOINT

For additional information and pricing, please contact us at 1-800-334-

Extruded from a specially formulated PVC compound with 70 durometer hardness conforming to ASTM D2240. It is designed for use in solid or cavity masonry wall construction at plasters, columns, intersections or other joints. In long walls, control joints at 30 feet intervals are recommended to provide resilient resistance to cracking under stress of expansion and contraction. Rubber control joint is available in 2900, 2901, 2902, 2905. Conforms to ASTM D-2000 2AA-805 with a durometer hardness of 80.



Physical properties for PVC control joints are as follows:

Property	Nominal Value
Tensile-Steel	2000 psi
Specific Gravity	1.29
Ultimate Elongation-Sheet	420%
Water Absorption	+0.141%
Brittle Point (calculated)	-30°F.
Hardness-Shore A/10	70

Recommended Spacing of Control Joints	Vertical Spacing of Joint Reinforcement			
	None	24"	16"	8"
Expressed as Ratio of Panel Length to Height L/H	2	2-1/2	3	4"
With Panel Length (L) Not to exceed Regardless of Height (H)	40'	45'	50'	60'

<u>CODE</u>	<u>SIZE</u>
2901CJ	2-5/8"
2902CJ	6-7/8"
2903CJ	11-1/8"