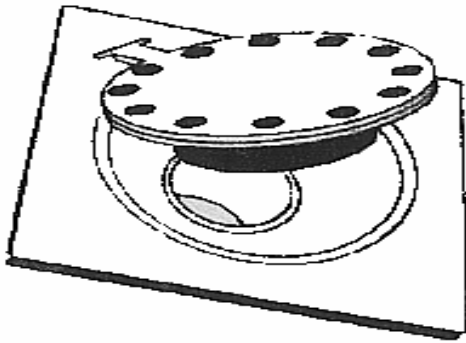
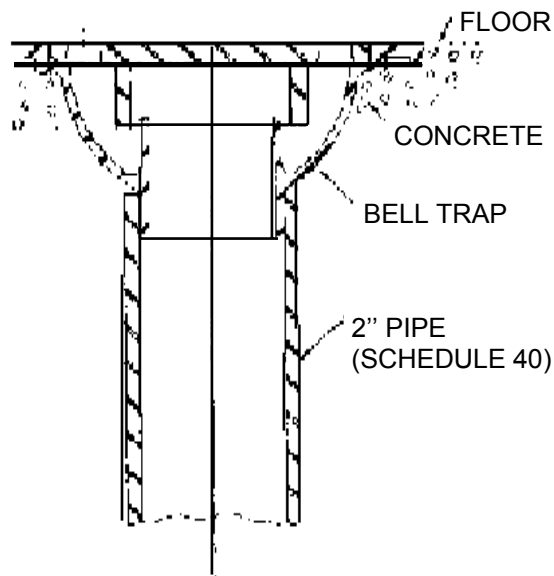


For pricing and additional product information please contact us at 1-800-334-0541.



6" x 6" BELL TRAP
ASSEMBLY FOR 2" PIPE



MODEL	SIZE	WEIGHT
S66	6" x 6"	8 oz.
N66	6" x 6"	8 oz.
S99	9" x 9"	29 oz.
N99	9" x 9"	29 oz.

6" X 6" HINGED PLASTIC BELL TRAP
(ORDERED IN MULTIPLES OF 12)

9" X 9" HINGED PLASTIC BELL TRAP
(ORDERED IN MULTIPLES OF 6)