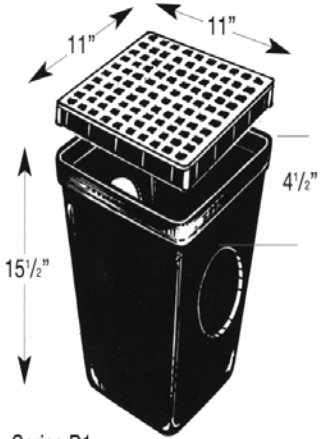


TUF-TITE AREA DRAIN

For pricing and additional information please contact us at 1-800-334-0541.

2-Hole Drain Sump

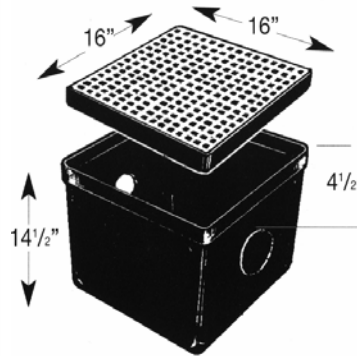
Model: 2HDS-1



Series B1

2-Hole Drain Sump

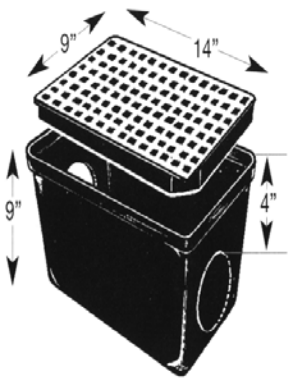
Model: 2HDS-4



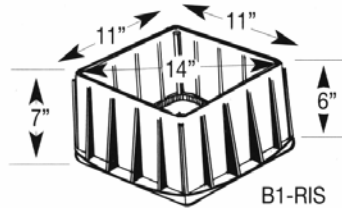
Series B4

2-Hole Drain Sump

Model: 2HDS-2



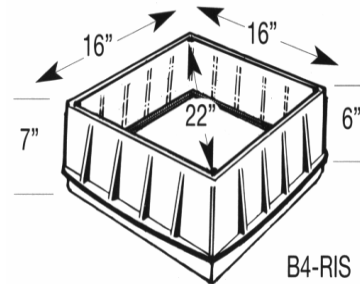
Series B2



Series B1 Riser

Model: B1 Riser

For Series B1 Box. Stackable HDPE Risers extend to grade in 6" increments. Accept 11" x 11" screw-on lids and grates.



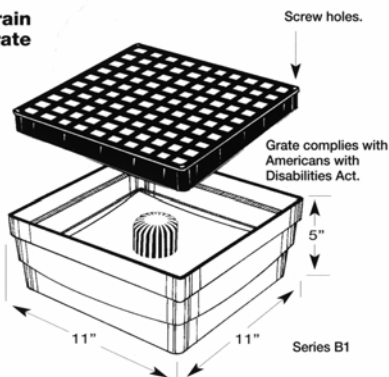
Series B4 Riser

Model: B4 Riser

For Series B4 Box. Stackable HDPE Risers extend to grade in 6" increments. Accept 16" x 16" screw-on Lids and Grates.

AD1 Area Drain with ADA Grate

Load rating: Medium truck traffic.



Series B1

Septic Tank Risers and Lids

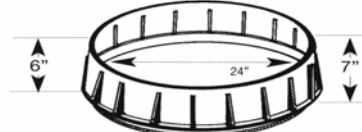
Pat.Nos. 5,617,679 5,852,901

24 RISL Lid



Gasketed HDPE lid available in 24" dia

24 RIS Riser



For septic tanks. Heavy-duty HDPE. Stackable in 6" incr. 24" diameter.

24-RISL LIDS